

**State of Wyoming Corner Record**

(in compliance with the CORNER PERPETUATION AND FILING ACT, Wyoming Statutes, 1977, Section 36-11-101, et. seq., and the Rules and Regulations of the Board of Registration for Professional Engineers and Professional Land Surveyors)

Reverse side of this form may be used if more space is needed.

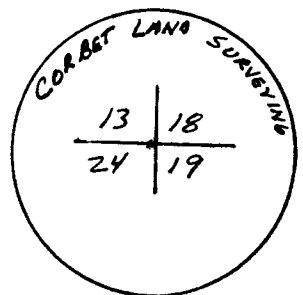
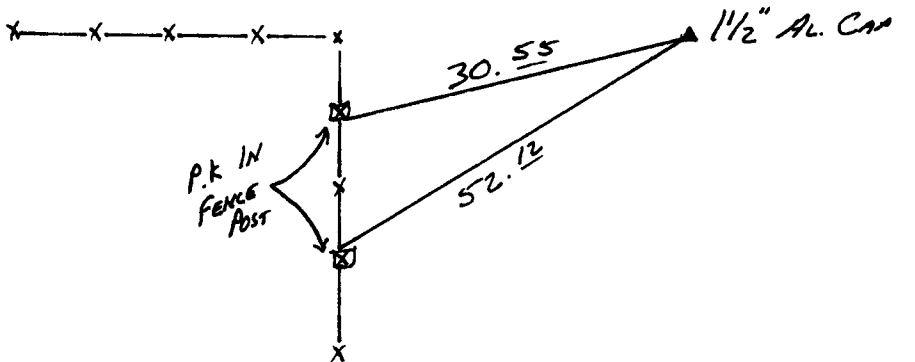
Record of original survey and citation of source of historical information (if corner is lost or obliterated). Description of corner monumentation evidence found and/or monument and accessories established to perpetuate the location of this corner. Sketch of relative location of monument, accessories, and reference points with course and distance to adjacent corner(s) (if determined in this survey). Method and rationale for reestablishment of lost or obliterated corner.

GLO RECORD: UNKNOWN.

FOUND 1 1/2" ALUMINUM CAP IN MOUND OF STONES  
SOME WITH CHISEL MARKS AND STEEL FENCE POST  
ADJNG SIDE.

SET P.K AND WASHER IN FENCE POST.

173840  
LARAMIE COUNTY CLERK  
CHEYENNE, WY.  
95 DEC 13 PM 3 54



Date of Field Work: 3-22-95 Office Reference: 94221

**CROSS INDEX DIAGRAM**

A	1	2	3	4	5	6	7	8	9	10	11	12	13	14	15	16	17	18	19	20	21	22	23	24	25
B																									
C	6				5					4					3						2				1
D																									
E																									
F																									
G	7				8					9					10						11				12
H																									
J																									
K																									
L	18				17					16					15						14				13
M																									
N																									
O																									
P	19				20					21					22						23				24
Q																									
R																									
S																									
T	30				29					28					27						26				25
U																									
V																									
W																									
X	31				32					33					34						35				36
Y																									
Z																									

Firm/Agency, Address

STEEL SURVEYING SERVICES  
1102 WEST 19th STREET  
CHEYENNE WY 82001

Telephone Number: (307) 634-7273

This corner record was prepared by me or under my direction and supervision.  
SEAL & SIGNATURE



**BOOK 1413**

Corner Name: NW SECTION COR. Section: 19 T14N R62W: 6TH P.M. Cross-Index No.: N-1